



521 Lawrence Rd NE
Canton, OH 44704

"Twist-Lock"

Concealed Flanges

Technical Page

FEATURES:

The exclusive ELCOMA "Twist-Lock" concealed flange system combine Wingits and "Twist-Lock" function together. Five mounting holes provide more flexibility.

When installed with Wingits system, the cover can nicely snap into position. When installed with "Twist-Lock" system, the cover turns to lock into position.

Direct fastening system assures that the bar cannot separate from the flange. The flat contact surface will not cut into the wall surface. The bar will remain stable without future re-tightening.

All stainless steel construction. The mounting flange is type 304, 14 gauge. Each flange is continuously heliarc welded to the 18 gauge tubing. The cover is type 304 s.s. with #4 brushed or color coated finish.

The exclusive "Twist-Lock" flange system is available with all ELCOMA stainless steel bars in 1"(25mm), 1 ¼"(32mm), and 1 ½"(38mm) diameter.

ELCOMA "twist-Lock" flange quality is supported by a Lifetime Warranty.

ELCOMA grab bars and safety rails have a wall to bar nominal offset distance of 1 ½"(38mm). All 1 ¼"(32mm) and 1 ½"(38mm) dia. bars have been designed and tested to withstand 1300 lbs. of downward load when properly installed. This exceeds HUD, FHA, VA, ADA and other federal, provincial and local codes.

All "Twist-Lock" flanges are supplied with 4 stainless steel Mounting screws and illustrated installation instructions.

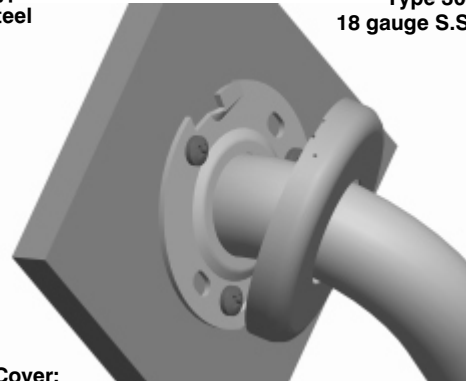
To specify "Twist-Lock" flanges with specific configurations see the selection code and add " T " to the model number.

Function #1

The locking tabs on the cover turn 15 degree under the matching wedges on the mounting flange to tighten the cover firmly in place. Hand tightening will secure the cover. (A gripping assist will be required to remove it.)

Mounting Flange: 14 gauge
Type 304 stainless
steel

Tube:
Type 304
18 gauge S.S.



Cover:
3" (76 mm) O.D.
Type 304 S.S

Function #2 - Wingit Compatible

Wingits can either use three holes as shown or use the left two holes. The cover shall Snap into position firmly through three dimples on the cover.

