

521 Lawrence Rd NE
 Canton, OH 44704

Configuration 25

Inside Corner Safety Rails

1.25" dia. (32 mm) or 1.50" dia. (38 mm)

with Exposed Flanges

Architectural, Commercial, Institutional

Raised 3 Hole Exposed Flange

SPECIFICATION: (Stainless Steel)

Inside Corner Safety Rail with raised 3 hole exposed flanges. Manufactured by ELCOMA from 18 gauge, type 304, satin finished, stainless steel tubing. 14 gauge stainless steel mounting flange shall be Heliarc welded to the tube to form a single structural unit. Rail shall comply with all applicable federal and local building and safety codes.

1.25" (32 mm) rail dia.

Model # 25-223418SE

1.50" (38 mm) rail dia.

Model # 25-523418SE

(substitute S for smooth with K for Knurled grip,
 P for Peened grip, or G for SHUR-GRIP)

SPECIFICATION: (Chrome Plated Steel)

Inside Corner Safety Rail with raised 3 hole exposed flange. Manufactured by ELCOMA from 18 gauge steel tubing. 14 gauge steel mounting flange shall be brazed to the tube to form a single structural unit prior to triple plating. Rail shall comply with all applicable federal and local building and safety codes.

1.25" (32 mm) rail dia.

Model # 25-213418SE

1.50" (38 mm) rail dia.

Model # 25-513418SE

(Substitute S for smooth with K for Knurled grip)

Flat 2 Hole Exposed Flange

SPECIFICATION: (Stainless Steel)

Inside Corner Safety Rail with Flat 2 hole exposed flange. Manufactured by ELCOMA from 18 gauge, Type 304, satin finished, stainless steel tubing. 12 gauge stainless steel mounting flange shall be Heliarc welded to the tube to form a single structural unit. Rail shall comply with all applicable federal and local building and safety codes.

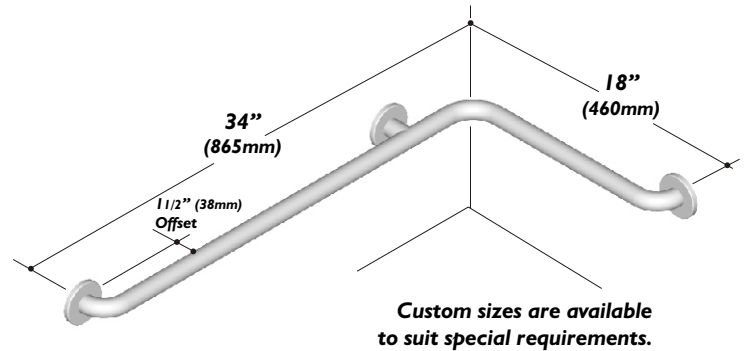
1.25" (32 mm) rail dia.

Model # 25-223418SF

1.50" (38 mm) rail dia.

Model # 25-523418SF

(substitute S for smooth with K for Knurled
 grip, P for Peened grip, or G for SHUR-GRIP)



Raised 3 Hole "E" Exposed Flange



Flat 2 Hole "F" Exposed Flange



For painted rails there are more than 25 designer colors available on special request.
 All bars supplied with stainless steel mounting screws



Specification questions ? Contact ELCOMA @ Ph: 800-352-6625 Fax: 800-625-5560 Email: orderdesk@elcoma.com
www.elcoma.com