

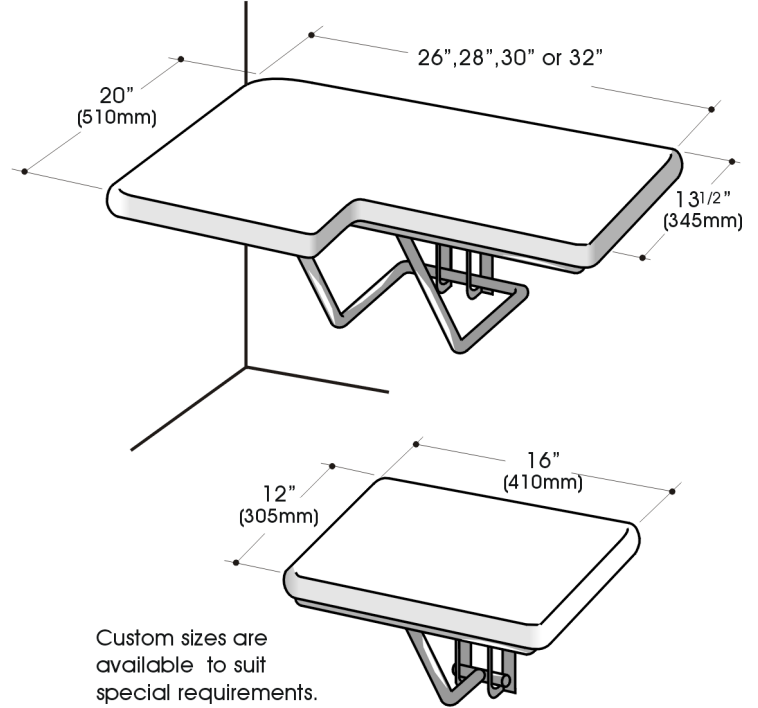
**HDP**  
**Shower Seats**  
*(High Density Polyethelene)*

Architectural, Commercial,  
Institutional, Residential

HDP SEAT

**SPECIFICATION:**

Fold-Down shower seat manufactured by ELCOMA from 1" (25mm) diameter, 18 gauge, type 304 stainless steel tubing with #4 satin finish. Mounting brackets shall be 12 gauge type 304 stainless steel. HDP is not a standard plastic, it is a unique polymer formula, environmentally stabalized to resist ultraviolet light. Seat unit shall comply with all applicable federal and local building and safety codes.



20" x (Specify length) seat	White	Model # 60-PO__20 (orientation as shown)
20" x (Specify length) seat	White	Model # 61-PO__20 (opposite orientation)

\*\* To complete the above part numbers the length of the seat must be specified in the blank space.

Example: A 26" RH white HDP seat would be model # 60-PO2620

12" x 16" "Junior" seat	White	Model # 63-PO121620 (as shown)
-------------------------	-------	--------------------------------

The ELCOMA standard of product quality is supported by a Lifetime Warranty on all stainless steel components. Elcoma Shower Seats have been designed and tested to withstand 400 lbs. of load capacity when properly installed. This exceeds HUD, FHA, VA, ADA, ANSI and other federal, and local codes.

(\* "Junior" Series is designed and tested to 250 lbs).

