



521 Lawrence Rd NE
Canton, OH 44704

**90° Angle Bars
with Exposed Flanges**

Architectural, Commercial, Institutional

Raised 3 Hole Exposed Flange

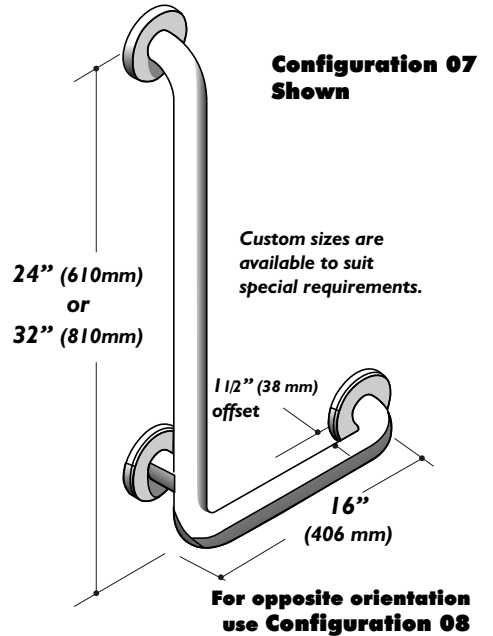
SPECIFICATION: (Stainless Steel)

90° Angle Bar with post and Raised 3 hole exposed flanges. Manufactured by ELCOMA from 18 gauge, type 304, satin finished, stainless steel tubing. Three, 14 gauge stainless steel mounting flanges shall be Heliarc welded to the tube to form a single structural unit. Angle Bar shall comply with all applicable federal, and local building and safety codes.

- 1.25" (32 mm) bar dia. Model # 07-22*SE (* insert standard size 2416 or 3216)
- 1.50" (38 mm) bar dia. Model # 07-52*SE (Substitute S with K for Knurled grip,
P for Peened grip, or G for SHUR-GRIP)

For opposite orientation substitute Model # 7 with Model # 08

**Raised 3 Hole "E"
Exposed Flange**



SPECIFICATION: (Chrome Plated Steel)

90° Angle Bar with post and Three Hole Exposed flanges. Manufactured by ELCOMA from 18 gauge steel tubing. Three, 14 gauge steel mounting flanges shall be brazed to the tube to form a single structural unit prior to triple plating. Angle Bar shall comply with all applicable federal, and local building and safety codes.

- 1.25" (32 mm) bar dia. Model # 07-21*SE Insert standard size 2416 or 3216)
- 1.50" (38 mm) bar dia. Model # 07-51*SE (substitute S for smooth with K for Knurled grip)

For opposite orientation substitute Model # 7 with Model # 08

Flat 2 Hole Exposed Flange

SPECIFICATION: (Stainless Steel)

90° Angle Bar with post and Flat 2 hole exposed flanges. Manufactured by ELCOMA from 18 gauge, Type 304, satin finished, stainless steel tubing. Three, 12 gauge stainless steel mounting flanges shall be Heliarc welded to the tube to form a single structural unit. Angle Bar shall comply with all applicable federal, and local building and safety codes.

- 1.25" (32 mm) bar dia. Model # 07-22*SF (* insert standard size 2416 or 3216)
- 1.50" (38 mm) bar dia. Model # 07-52*SF (substitute S for smooth with K for Knurled grip,
P for Peened grip, or G for SHUR-GRIP)

For opposite orientation substitute Model # 7 with Model # 08

**Flat 2 Hole "F"
Exposed Flange**



All bars supplied with stainless steel mounting screws

