

120° Angle Bars with Exposed Flanges

Architectural, Commercial, Institutional

Raised 3 Hole Exposed Flange

SPECIFICATION: (Stainless Steel)

120° Angle Bar 12" x 12" (305 x 305 mm) with Raised 3 hole exposed flanges. Manufactured by ELCOMA from 18 gauge, Type 304, satin finished, stainless steel tubing. Two 14 gauge stainless steel mounting flanges shall be Heliarc welded to the tube to form a single structural unit. Angle Bar shall comply with all applicable federal, and local building and safety codes.

1.25" (32 mm) bar dia.	Model # 12-221212SE
1.50" (38 mm) bar dia.	Model # 12-521212SE

(substitute S with K for Knurled grip,
P for Peened grip, or G for SHUR-GRIP)

SPECIFICATION: (Stainless Steel with center post)

120° Angle Bar with center post and 3 hole exposed flanges. Manufactured by ELCOMA from 18 gauge, Type 304, satin finished, stainless steel tubing. Three, 14 gauge stainless steel mounting flanges shall be Heliarc welded to the tube to form a single structural unit. Angle Bar shall comply with all applicable federal, and local building and safety codes.

(* insert standard size 1616, 1818 or 2424)

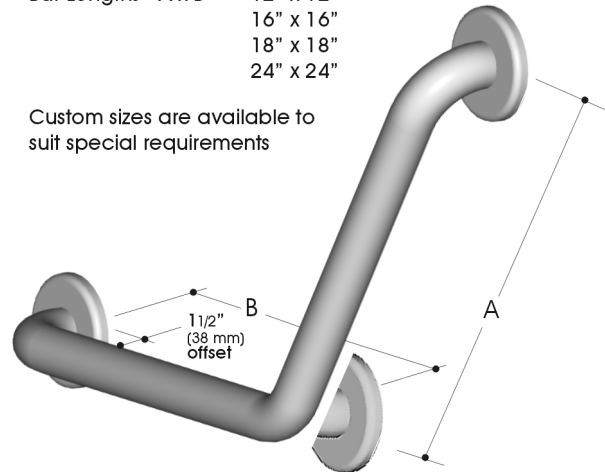
1.25" (32 mm) bar dia.	Model # 13-22*SE
1.50" (38 mm) bar dia.	Model # 13-52*SE

(substitute S with K for Knurled grip,
P for Peened grip, or G for SHUR-GRIP)

Configuration 12 (12 x 12" without center post)

Bar Lengths A x B = 12" x 12"
16" x 16"
18" x 18"
24" x 24"

Custom sizes are available to
suit special requirements



Configuration 13 (16", 18", 24" angle bars with center post)

Raised 3 Hole "E"
Exposed Flange

